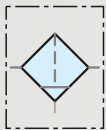


Symbol



Filter

Features

- * Remove water and particle effectively.
- * 40 μm and 5 μm filter element are easily interchangeable and replaceable.

How to order

NUF -

Filter

02

Port size

02	1/4"
03	3/8"
04	1/2"

N

Thread

Blank	G
N	NPT

C

Filtration

Blank	5 μm
C	40 μm

D

Drain

Blank	Semi-auto drain
H	Manual drain
D	Auto drain

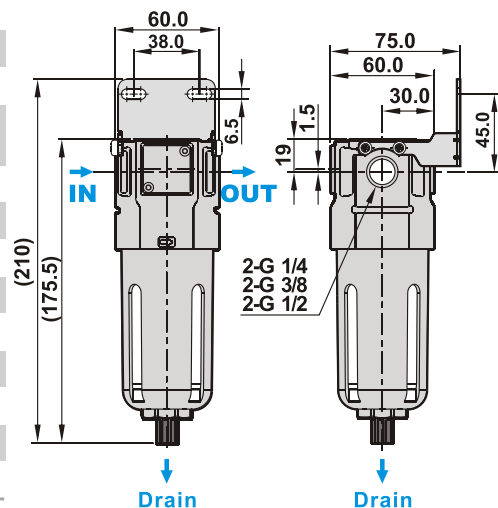
A

Bowl

Blank	Standard bowl
A	Anti-acid & alkali bowl
AL	Aluminum bowl (1/4"~1/2")

Dimensions

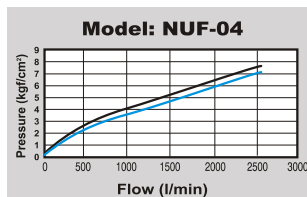
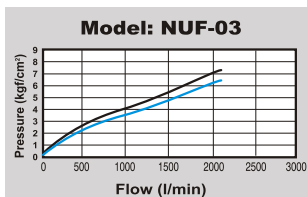
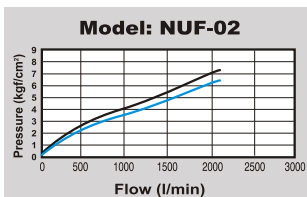
NUF-02, 03, 04



Specifications

Model	NUF-02	NUF-03	NUF-04
Port size	1/4"	3/8"	1/2"
Fluid	Compressed air		
Body material	Aluminum die-cast		
Bowl material	Polycarbonate (Standard), Anti-acid & alkali bowl (Option), Aluminum bowl (Option)		
Filtration	5 μm (Standard) , 40 μm (Option)		
Operating pressure range	0.5 ~ 10 kgf/cm ²		
Proof pressure (Standard bowl)	15 kgf/cm ²		
Max. flow rate l/min (ANR)	2440	2450	3030
Ambient temperature	-10 $^{\circ}\text{C}$ ~ 60 $^{\circ}\text{C}$		
Filter bowl capacity	105cc		
Standard drain	Semi-auto drain (Drains below 0.5kgf/cm ²)		
Net weight	480g (W/I Aluminum bowl 700g)		
Accessories	Mounting bracket , Screw x 4		

Flow chart



Note:

- X axis: Flow (l/min)
- Y axis: Pressure (kgf/cm²)
- Blue line (P0)=Outlet pressure
- Black line (P1)=Inlet pressure
- P1-P0=Pressure range