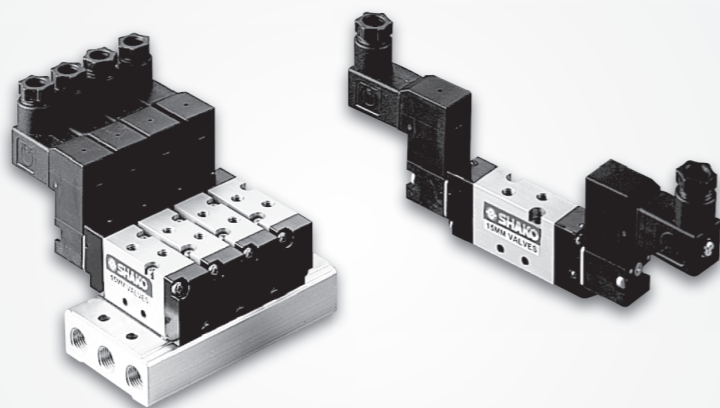


SOLENOID VALVES

SOLENOID VALVES

Features

- * Miniature and Compact size, 15mm width, large flow rate (0.25Cv).
- * Manual override design for easy test and operation.
- * Anodized aluminum body and strict quality control provide a long durability.
- * Quick acting, low starting pressure.



How to order

PU521	A	F	-	M5	S	2	D	LED
15mm valves series	Valve type	Manifold		Port size	Solenoid	Voltage	Coil type	LED
5/2 way	A Body ported B Base mounted	Blank Standard (W/O manifold) F01 W/I single sub base (B type) F02 2 stations manifold (B type) Fxx xx stations manifold (B type) M02 2 stations manifold (A type) Mxx xx stations manifold (A type)	M5 M5	S Single solenoid D Double solenoid	1 110VAC 2 220VAC 9 24VDC	Blank Lead wire D DIN	Blank (W/O LED)	

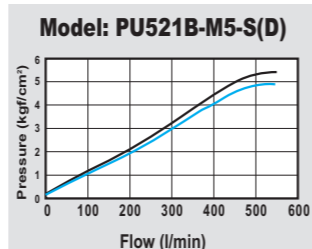
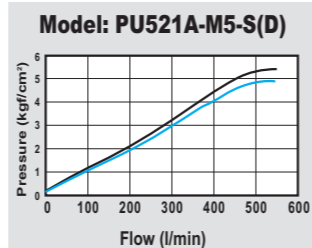
How to order manifold

MF521	A	-	M5	-	O2
15mm valves series	Manifold type				Stations
5/2 way	A For body ported valve B For base mounted valve				O2 2 stations O3 3 stations XX XX stations

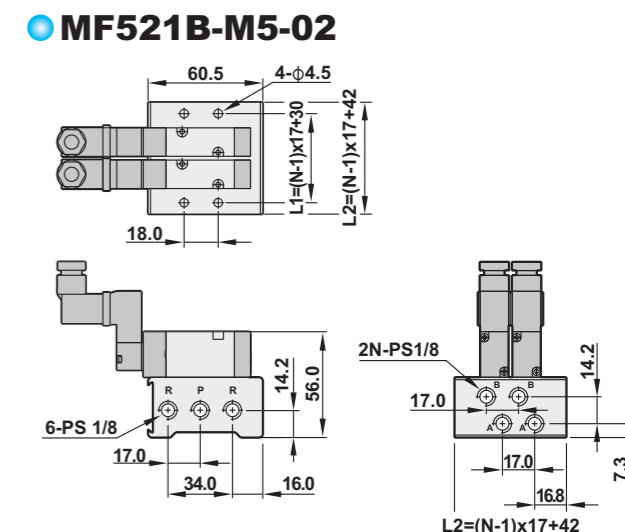
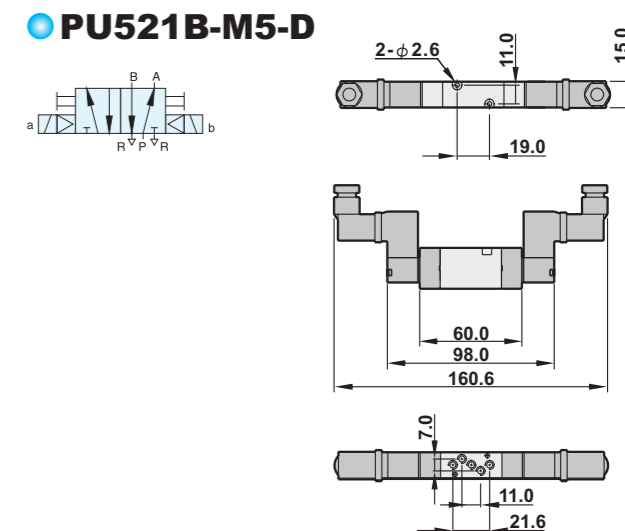
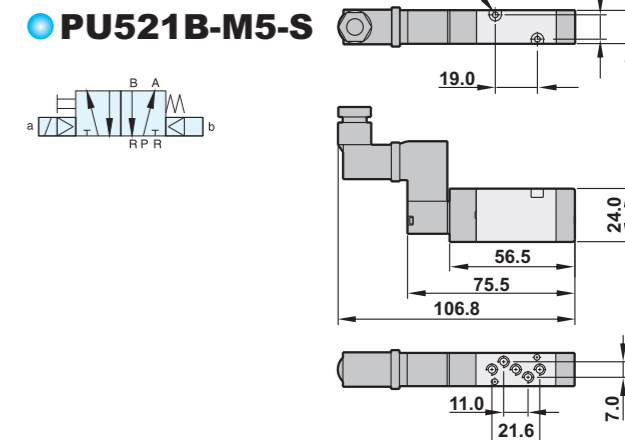
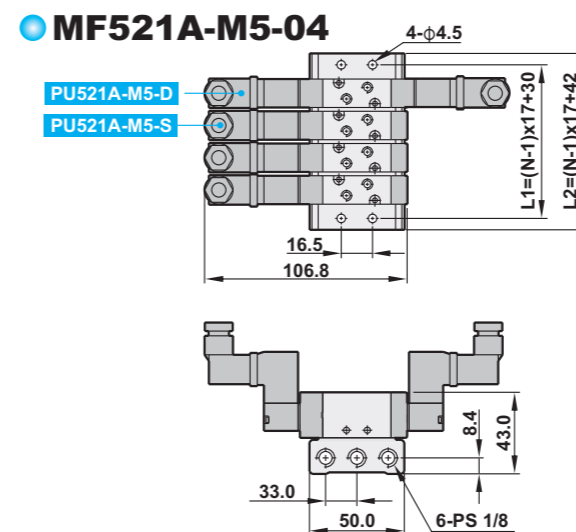
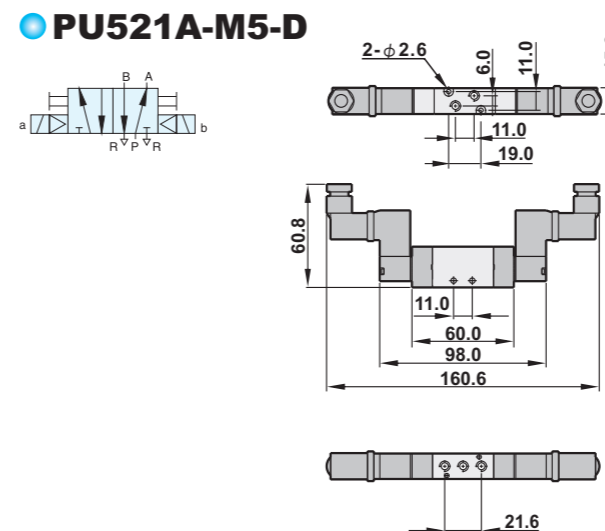
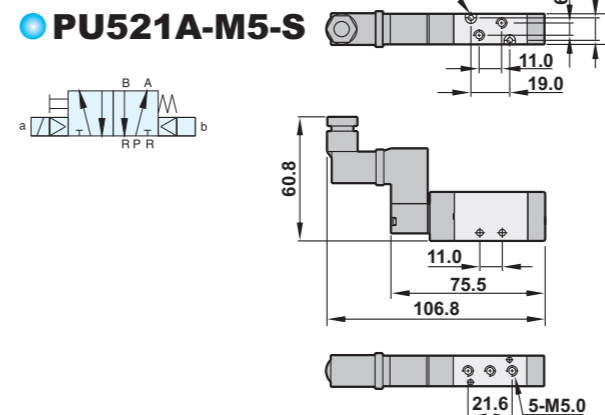
Specifications

Model	PU521A-M5-S(D)	PU521B-M5-S(D)
Port size	M5	
Fluid	Compressed air	
Acting	Internal pilot	
Operating pressure range	1 ~ 8 kgf/cm ²	
Max. operating pressure	9 kgf/cm ²	
Sectional area	3.5mm ²	
Cycle rate	120 cpm	
Ambient temperature	-10°C ~ 50°C	
Duty cycle	100% ED	
Coil type	Lead wire(Standard), DIN(Optional)	
Protection class	IP65(DIN 40 050)	
Insulation class	F	
Voltage tolerance	±10%	
Standard voltage	220VAC, 110VAC, 24VDC (The other voltage is optional)	
Net weight	96g	106g

Flow chart



Dimensions



Number of station (N)	2	3	4	5	6	7	8	9	10
L1	47.0	64.0	81.0	98.0	115.0	132.0	149.0	166.0	183.0
L2	59.0	76.0	93.0	110.0	127.0	144.0	161.0	178.0	195.0