

#### Features

- \* Medium and compact size, 18mm width solenoid valve.
- \* Manual override design for easy test and operation.
- \* Anodized aluminum body and strict quality control provide a long durability.



#### How to order

AM520	B	X	-	O1	N	-	S	2	D	LED
18mm valves series	Valve type	Acting style		Port size	Thread	Solenoid		Voltage	Coil type	LED
52 5/2 way 53 5/3 way	Blank Body ported B Base mounted	Blank Standard X Exhaust center Y Pressurized center	O1 1/8"	Blank PS N NPT	S Single solenoid D Double solenoid	1 110VAC 2 220VAC 9 24VDC	Blank Lead wire D DIN	Blank (W/O LED)		

#### How to order manifold

MF520	-	O1	N	-	O2
18mm valves series	Port size	Thread	Stations		
For body ported valve	O1 1/8"	Blank PS N NPT	O2 2 stations O3 3 stations XX XX stations		

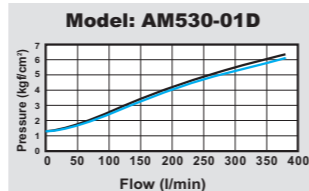
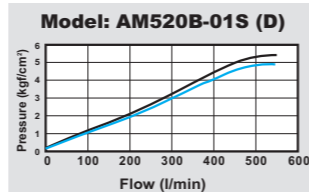
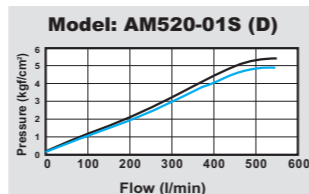
#### How to order manifold (B type)

SF520	-	O1	N	-	O2
18mm valves series	Port size	Thread	Stations		
For base mounted valve	O1 1/8"	Blank PS N NPT	O2 2 stations O3 3 stations XX XX stations		

#### Specifications

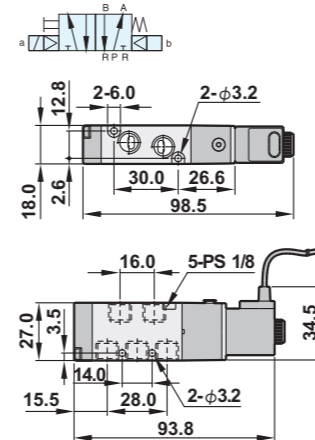
Model	AM520-01-S(D)	AM520B-01-S(D)	AM530-01-D
Port size	1/8"		
Fluid	Compressed air		
Acting	Internal pilot		
Sectional area	11mm <sup>2</sup> / 25mm <sup>2</sup>	9mm <sup>2</sup>	
Operating pressure range	1.5~8 kgf/cm <sup>2</sup>	2~7 kgf/cm <sup>2</sup>	
Max. operating pressure	9.9 kgf/cm <sup>2</sup>		
Ambient temperature	-10°C ~ 50°C		
Duty cycle	100% ED		
Coil type	Lead wire (Standard), DIN (Option)		
Protection class	IP65 (DIN 40 050)		
Insulation class	F		
Voltage tolerance	±10%		
Standard voltage	220VAC, 110VAC, 24VDC (The other voltage is optional)		
Net weight	125g (195g)	580g (660g)	215g

#### Flow chart

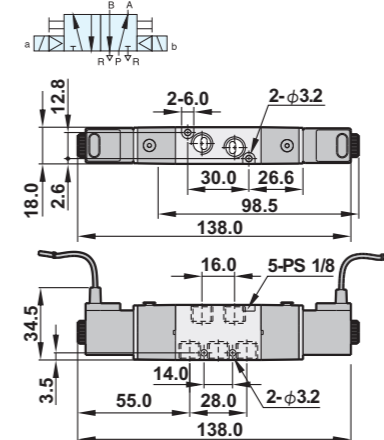


#### Dimensions

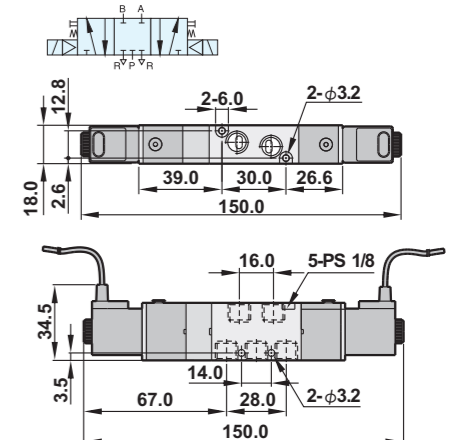
##### AM520-01-S



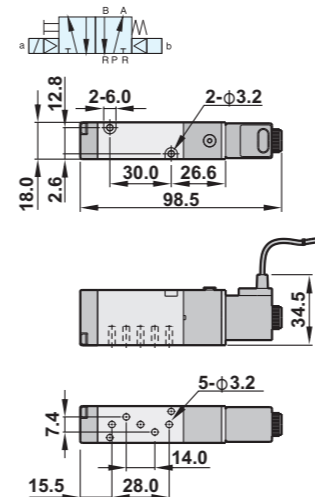
##### AM520-01-D



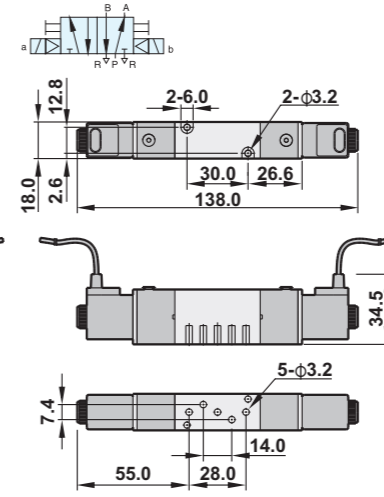
##### AM530-01-D



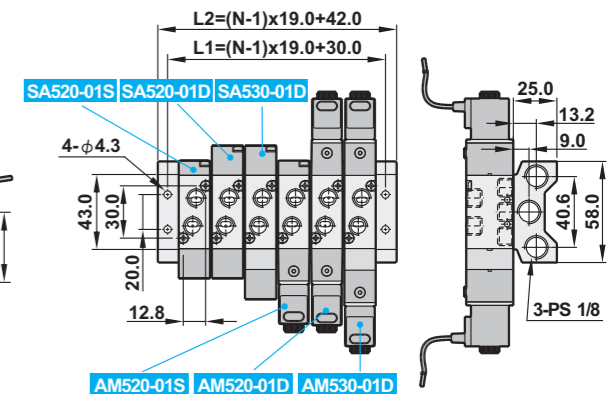
##### AM520B-01-S



##### AM520B-01-D

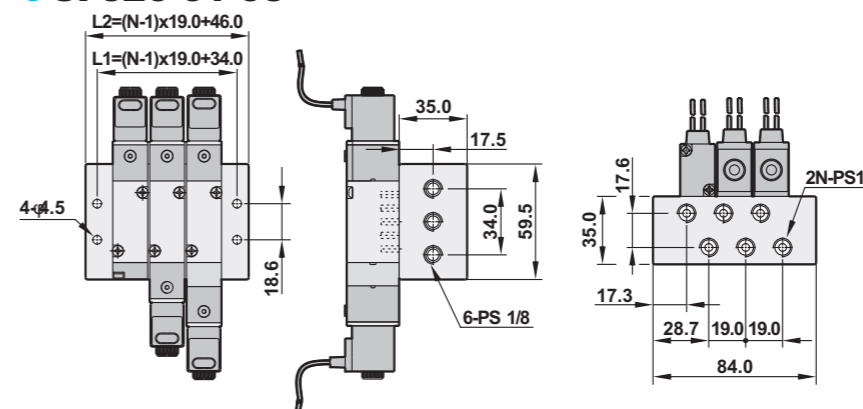


##### MF520-01-06



Number of station (N)	2	3	4	5	6	7	8	9	10
L1	49.0	68.0	87.0	106.0	125.0	144.0	163.0	181.0	190.0
L2	61.0	80.0	99.0	118.0	137.0	156.0	175.0	174.0	213.0

##### SF520-01-03



Number of station (N)	L1	L2
2	53.0	65.0
3	72.0	84.0
4	91.0	103.0
5	110.0	122.0
6	129.0	141.0
7	148.0	160.0
8	167.0	179.0
9	186.0	198.0
10	205.0	217.0