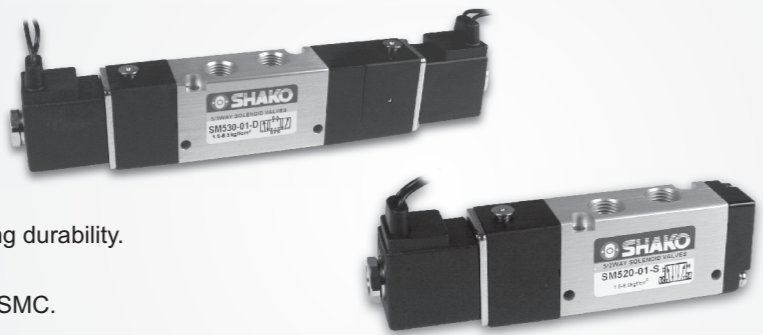


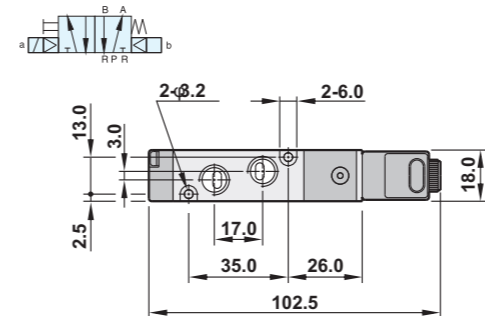
Features

- * Medium and compact size, 18mm width solenoid valve.
- * Manual override design for easy test and operation.
- * Anodized aluminum body and strict quality control provide a long durability.
- * The mounting position is identical to the counter product from SMC.

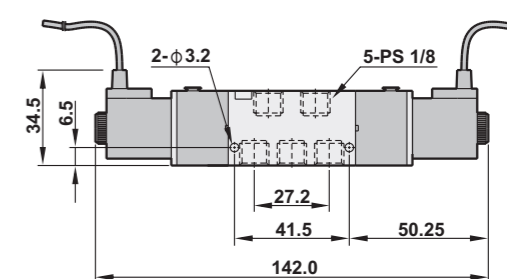
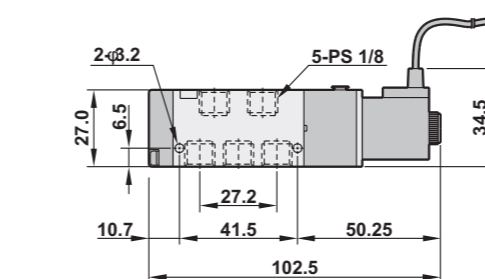
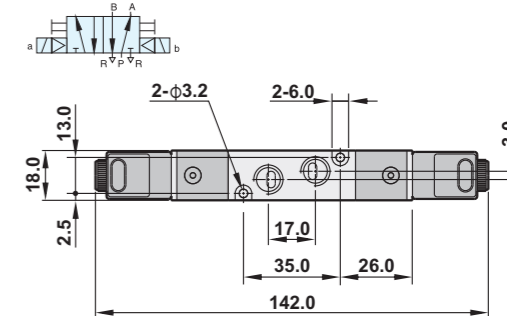


Dimensions

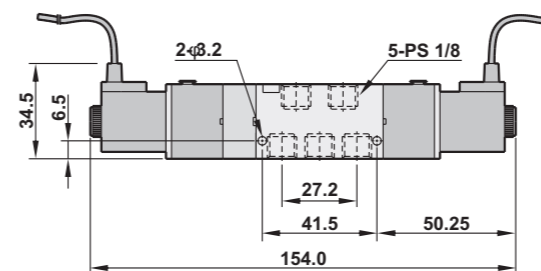
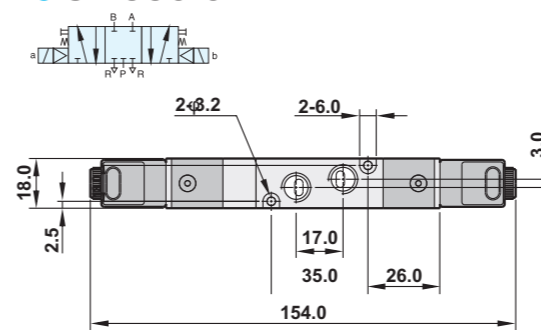
SM520-01-S



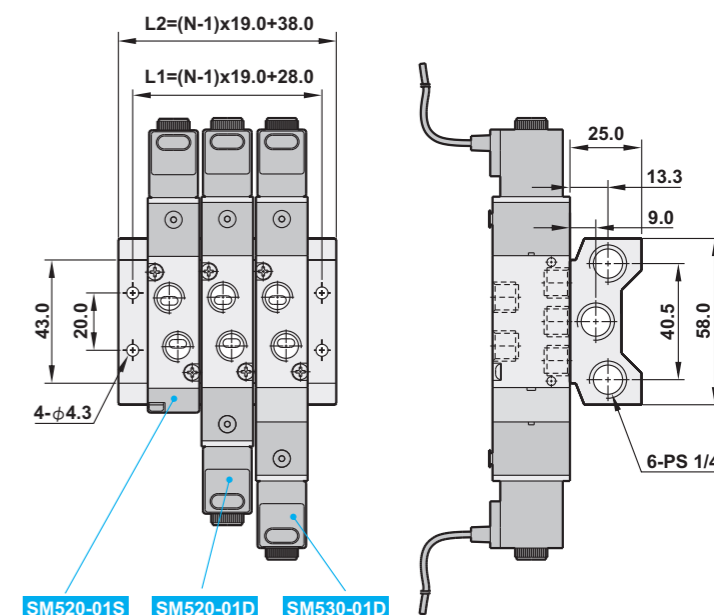
SM520-01-D



SM530-01-D



MF52S-01-03



| Number of station (N) | 2 | 3 | 4 | 5 | 6 | 7 | 8 | 9 | 10 |
|-----------------------|------|------|------|-------|-------|-------|-------|-------|-------|
| L1 | 47.0 | 66.0 | 85.0 | 104.0 | 123.0 | 142.0 | 161.0 | 180.0 | 199.0 |
| L2 | 57.0 | 76.0 | 95.0 | 114.0 | 133.0 | 152.0 | 171.0 | 190.0 | 209.0 |

How to order

| | | | | | | | |
|--------------------------|--|-----------|-------------------|--|---------------------------------|--------------------------|-----------------|
| SM520 | X | 01 | N | S | 2 | D | LED |
| 18mm valves series | Acting style | Port size | Thread | Solenoid | Voltage | Coil type | LED |
| 52 5/2 way 53 5/3 way | Blank Standard 5/3 way X Exhaust center Y Pressurized center | 01 1/8" | Blank PS N NPT | S Single solenoid D Double solenoid | 1 110VAC 2 220VAC 9 24VDC | Blank Lead wire D DIN | Blank (W/O LED) |

How to order manifold

| | | | |
|--------------------------|-----------|-------------------|--|
| MF52S | 01 | N | 03 |
| Model number | Port size | Thread | Stations |
| SM 18mm valves series | 01 1/8" | Blank PS N NPT | 02 2 stations 03 3 stations XX XX stations |

Specifications

| Model | SM520-01-S | SM520-01-D | SM530-01-D |
|--------------------------|---|-------------------------|------------|
| Port size | 1/8" | | |
| Fluid | Compressed air | | |
| Acting | Internal pilot | | |
| Sectional area | 11mm ² | 9mm ² | |
| Operating pressure range | 1.5~8 kgf/cm ² | 2~7 kgf/cm ² | |
| Max. operating pressure | 9.9 kgf/cm ² | | |
| Ambient temperature | -10°C ~ 50°C | | |
| Duty cycle | 100% ED | | |
| Coil type | Lead wire (Standard), DIN (Option) | | |
| Protection class | IP65 (DIN 40 050) | | |
| Insulation class | F | | |
| Voltage tolerance | ±10% | | |
| Standard voltage | 220VAC, 110VAC, 24VDC (The other voltage is optional) | | |
| Net weight | 125g | 195g | 215g |

Flow chart

