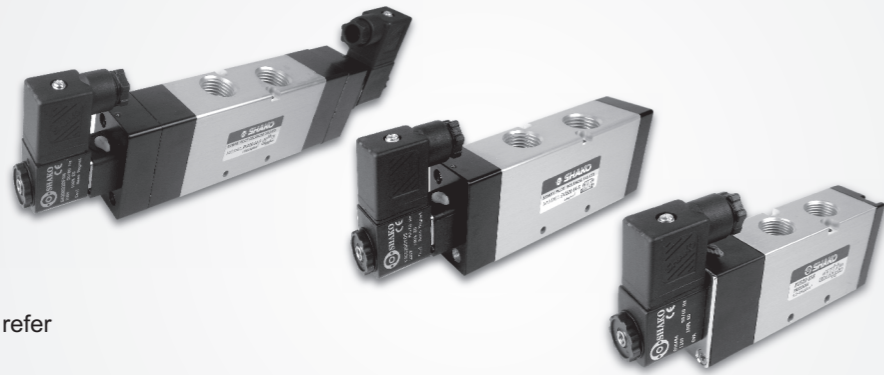


Features

- * Medium size and large flow rate.
- * Lockable manual override for easy operation.
- * Aluminum body with surface anodizing treatment and strict quality control for long durability.
- * Ex-proof coil is available, please refer to page 7-6.



How to order

| PU520 | X | 02 | N | S | 2 | LED | E | | |
|------------|--------------|--------------------|-----------|----------|---|-----------------|----------|-----------------|------------|
| PU series | Acting style | | Port size | Thread | Solenoid | | Voltage | LED | Coil type |
| 52 5/2 way | Blank | Standard | 02 1/4" | Blank PS | S | Single solenoid | 1 110VAC | Blank (W/O LED) | Blank DIN |
| 53 5/3 way | | 5/3 way | 03 3/8" | N NPT | D | Double solenoid | 2 220VAC | | E Ex-proof |
| | X | Exhaust center | 04 1/2" | | 5/3 way valve is only available for Double solenoid | | 9 24VDC | | |
| | Y | Pressurized center | | | | | | | |

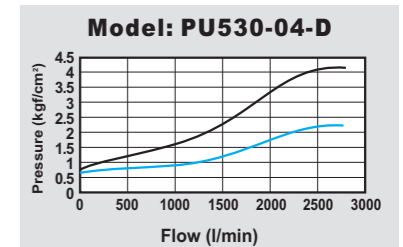
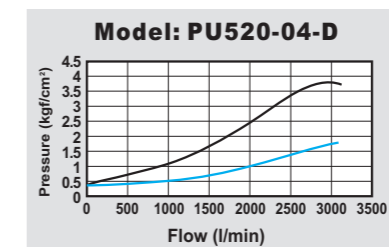
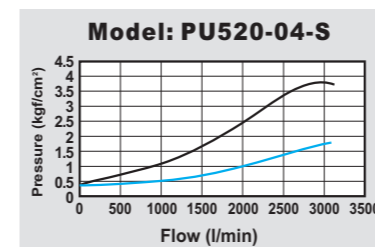
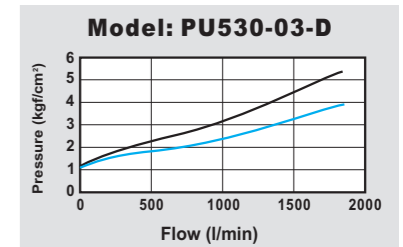
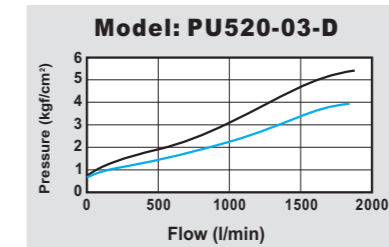
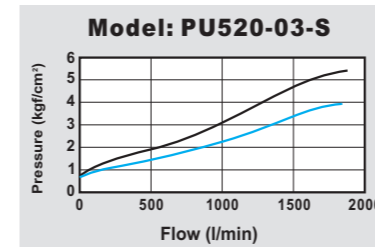
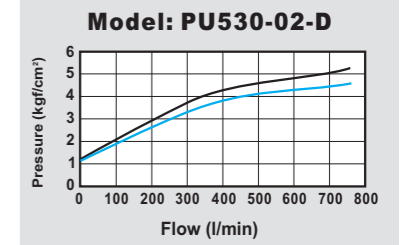
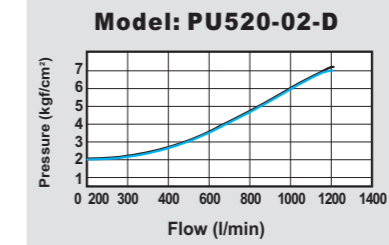
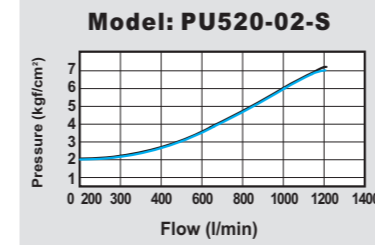
How to order manifold

| MF520 | 02 | N | 02 |
|------------------|-----------|----------|----------------|
| PU valves series | Port size | Thread | Stations |
| | 02 1/4" | Blank PS | 02 2 stations |
| | 03 3/8" | N NPT | 03 3 stations |
| | 04 1/2" | | XX XX stations |

Specifications

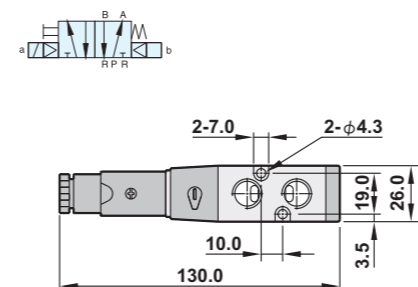
| Model | PU520-02-S(D) | PU530-02-D | PU520-03-S(D) | PU530-03-D | PU520-04-S(D) | PU530-04-D |
|--------------------------|---|-------------------------|---------------------------|-------------------|-------------------------|-------------------|
| Port size | 1/4", 1/8" (Exhaust ports) | | 3/8" | | 1/2" | |
| Fluid | Compressed air | | | | | |
| Sectional area | 18mm ² | 14mm ² | 35mm ² | 32mm ² | 70mm ² | 54mm ² |
| Acting | Internal pilot | | | | | |
| Operating pressure range | 1.5~8 kgf/cm ² | 2~8 kgf/cm ² | 1.5~8 kgf/cm ² | | 2~8 kgf/cm ² | |
| Max. operating pressure | 9.9 kgf/cm ² | | | | | |
| Ambient temperature | -10°C ~ 60°C | | | | | |
| Duty cycle | 100% ED | | | | | |
| Coil type | DIN (Standard) | | | | | |
| Protection class | IP65 (DIN 40 050) | | | | | |
| Insulation class | F | | | | | |
| Voltage tolerance | ±10% | | | | | |
| Standard voltage | 220VAC, 110VAC, 24VDC (The other voltage is optional) | | | | | |
| Net weight | 270g / 335g | 475g | 430g / 525g | 715g | 665g / 770g | 1045g |

Flow chart

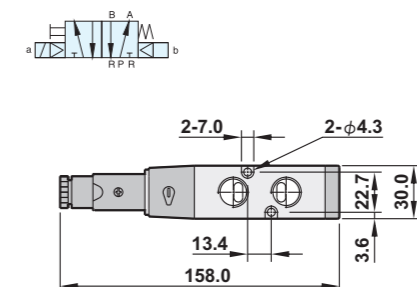


Dimensions

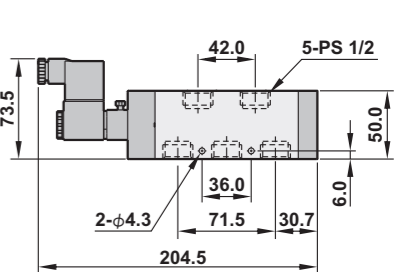
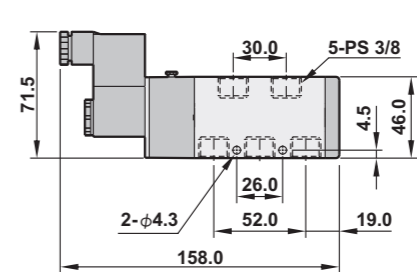
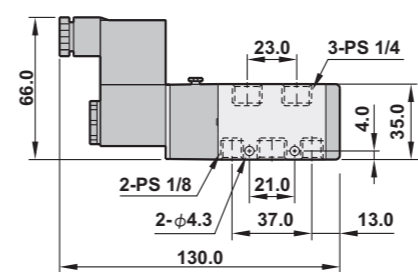
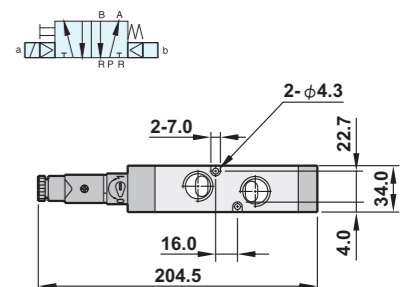
PU520-02-S



PU520-03-S



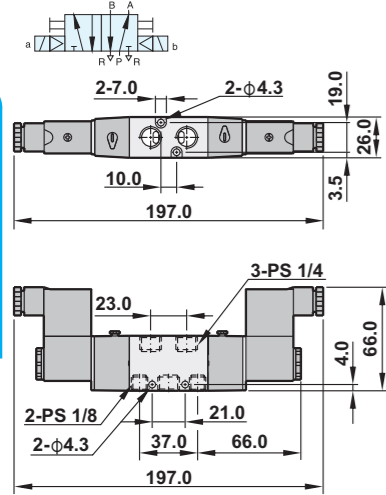
PU520-04-S



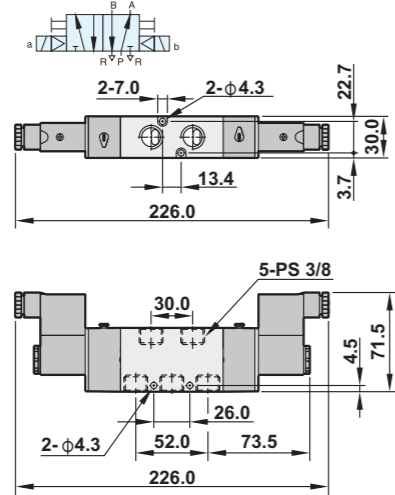
SOLENOID VALVES

Dimensions

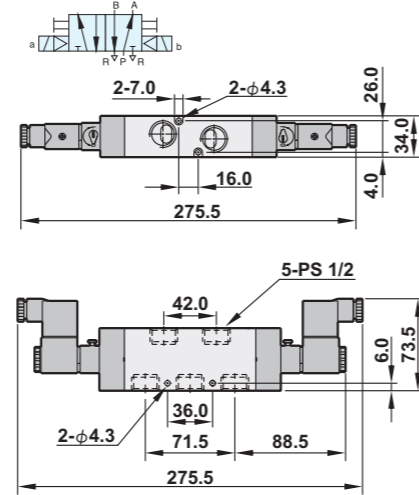
PU520-02-D



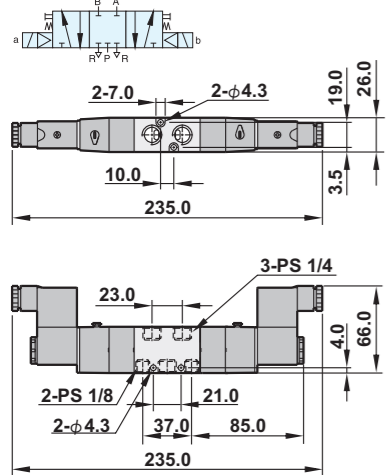
PU520-03-D



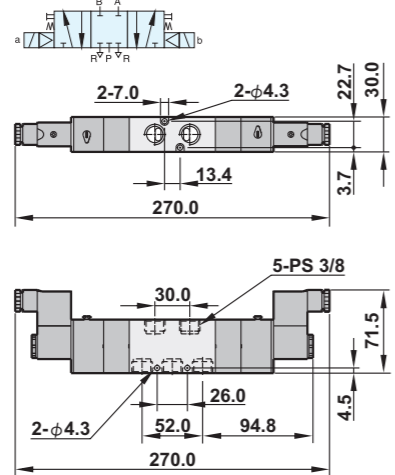
PU520-04-D



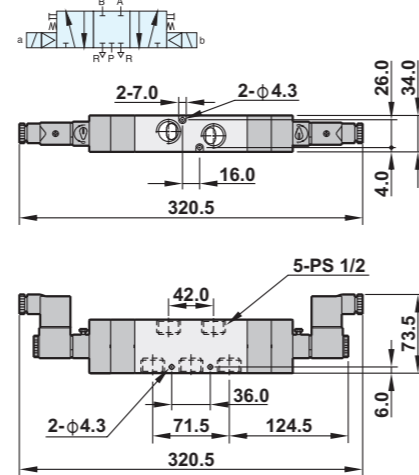
PU530X(Y)-02D



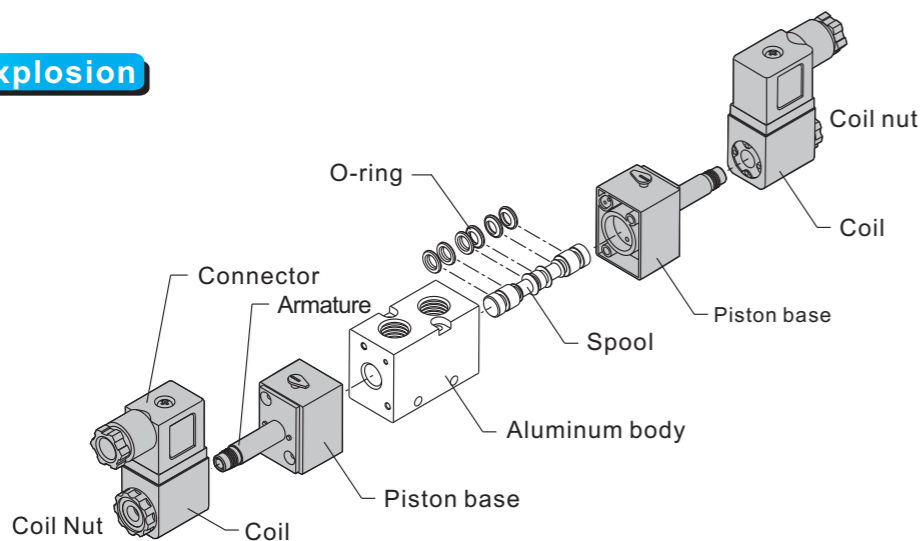
PU530X(Y)-03D



PU530X(Y)-04D

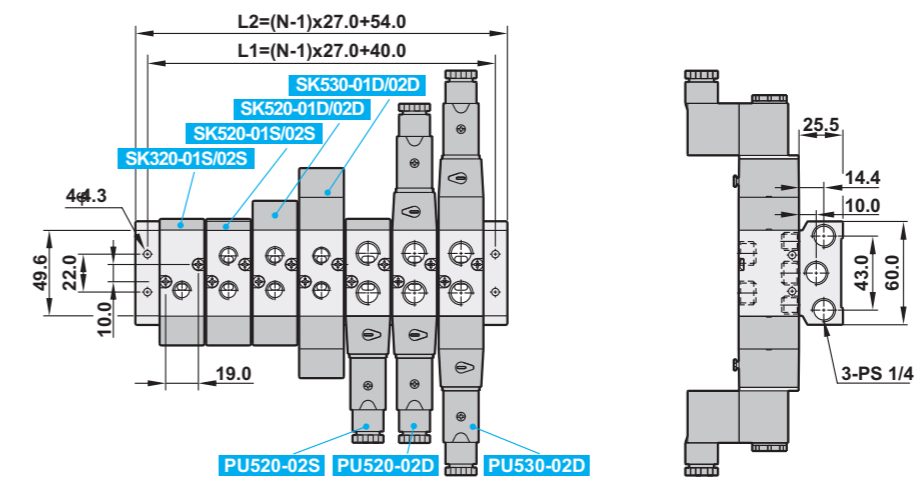


Explosion



Dimensions

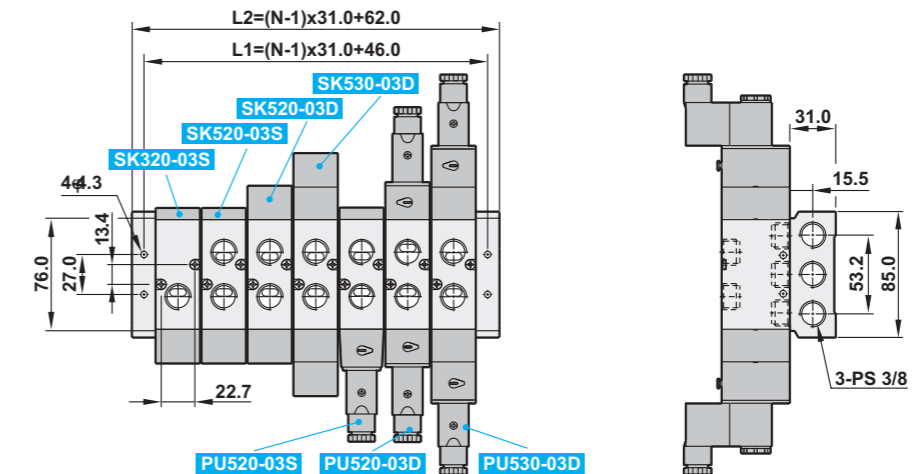
MF520-02-07



| Number of station (N) | L1 | L2 |
|-----------------------|-------|-------|
| 2 | 67.0 | 81.0 |
| 3 | 94.0 | 108.0 |
| 4 | 121.0 | 135.0 |
| 5 | 148.0 | 162.0 |
| 6 | 175.0 | 189.0 |
| 7 | 202.0 | 216.0 |
| 8 | 229.0 | 243.0 |
| 9 | 256.0 | 270.0 |
| 10 | 283.0 | 297.0 |

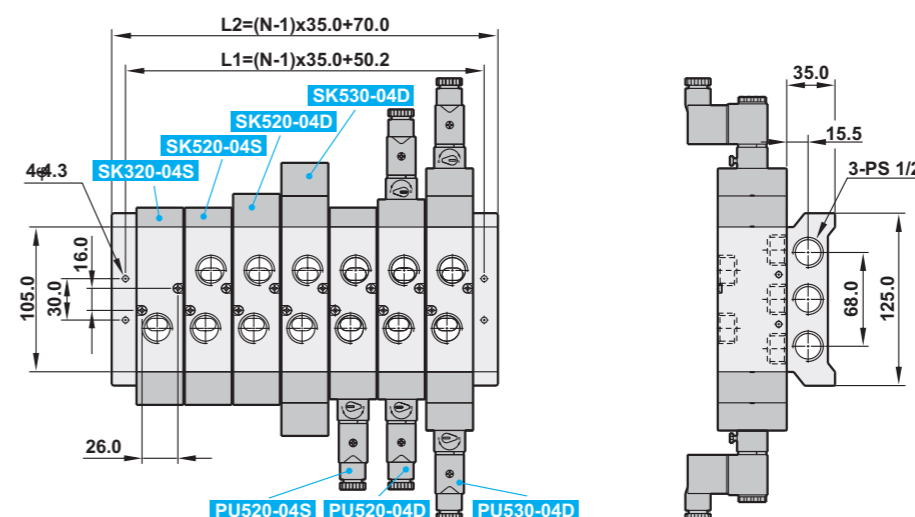
SOLENOID VALVES

MF520-03-07



| Number of station (N) | L1 | L2 |
|-----------------------|-------|-------|
| 2 | 77.0 | 93.0 |
| 3 | 108.0 | 124.0 |
| 4 | 139.0 | 155.0 |
| 5 | 170.0 | 186.0 |
| 6 | 201.0 | 217.0 |
| 7 | 232.0 | 248.0 |
| 8 | 263.0 | 279.0 |
| 9 | 294.0 | 310.0 |
| 10 | 325.0 | 341.0 |

MF520-04-07



| Number of station (N) | L1 | L2 |
|-----------------------|-------|-------|
| 2 | 85.2 | 105.0 |
| 3 | 120.2 | 140.0 |
| 4 | 155.2 | 175.0 |
| 5 | 190.2 | 210.0 |
| 6 | 225.2 | 245.0 |
| 7 | 260.2 | 280.0 |
| 8 | 295.2 | 315.0 |
| 9 | 330.2 | 350.0 |
| 10 | 365.2 | 385.0 |