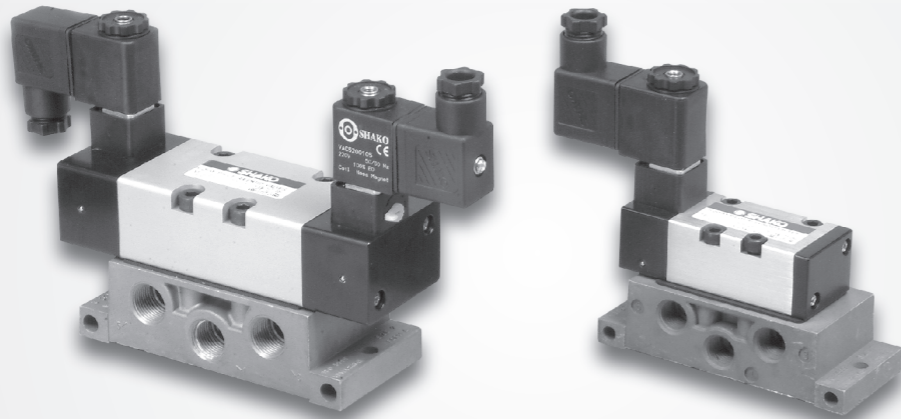


### Features

- \* ISO 1, ISO 2 solenoid valve.
- \* Aluminum alloy body.
- \* With single sub base which is identical to ISO 1 & ISO 2 standard.
- \* Ex-proof coil is available, please refer to page 7-6.



### How to order

<b>PS520</b>	<b>F</b>	<b>—</b>	<b>O2</b>	<b>N</b>	<b>—</b>	<b>S</b>	<b>2</b>	<b>LED</b>	<b>E</b>
PS520 series	Sub Base		Port size	Thread		Solenoid	Voltage	LED	Coil type
5/2 way	Blank W/O base F W/I base		02 1/4" ISO 1 03 3/8" ISO 2 04 1/2" ISO 2	Blank PS N NPT		S Single solenoid D Double solenoid	1 110VAC 2 220VAC 9 24VDC	Blank (W/O LED)	Blank DIN E Ex-proof

### How to order sub base

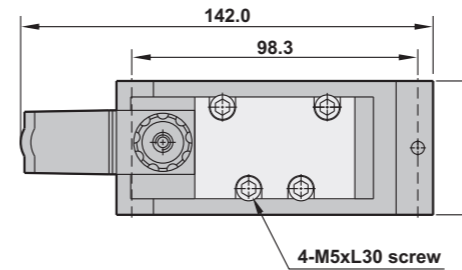
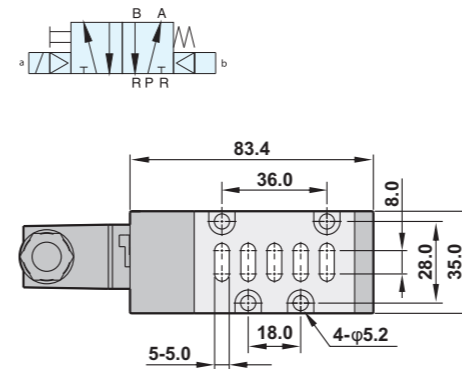
<b>ZESF</b>	<b>—</b>	<b>O2</b>
PS520 series		Port size
		02 1/4" ISO 1 03 3/8" ISO 2 04 1/2" ISO 2

### Specifications

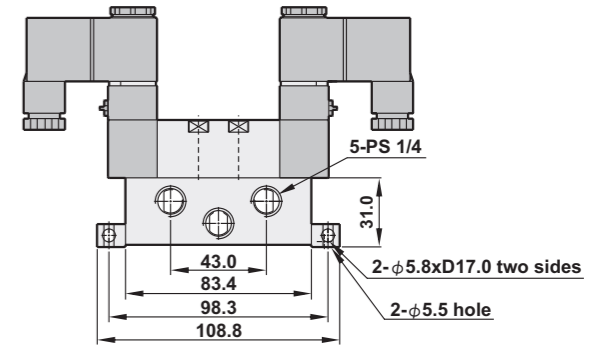
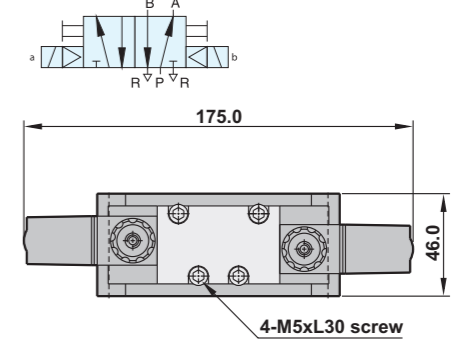
Model	PS520-02-S	PS520-02-D	PS520-03(4)-S	PS520-03(4)-D
Port size	1/4"		3/8" (1/2")	
Sectional area	29mm <sup>2</sup>		62mm <sup>2</sup>	
Fluid	Compressed air			
Acting	Internal pilot			
Operating pressure range	1.5 ~ 8 kgf/cm <sup>2</sup>			
Max. operating pressure	9.99 kgf/cm <sup>2</sup>			
Ambient temperature	-10°C ~ 60°C			
Duty cycle	100% ED			
Coil type	DIN			
Protection class	IP65 (DIN 40 050)			
Insulation class	F			
Voltage tolerance	±10%			
Standard voltage	220VAC, 110VAC, 24VDC (The other voltage is optional)			
Net weight (W/I base)	320g (500g)	460g (640g)	700g (980g)	840g (1120g)

### Dimensions

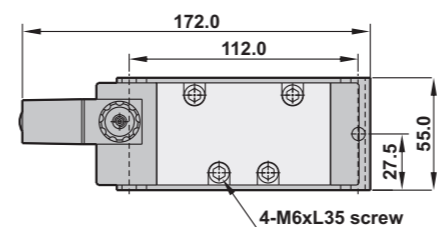
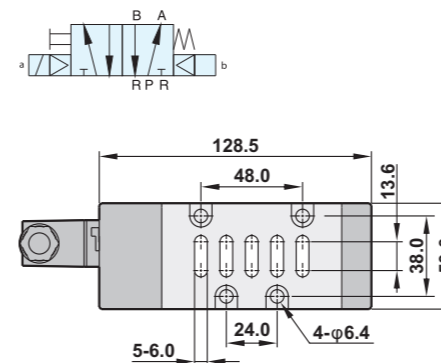
#### PS520F-02-S



#### PS520F-02-D



#### PS520F-03(4)-S



#### PS520F-03(4)-D

