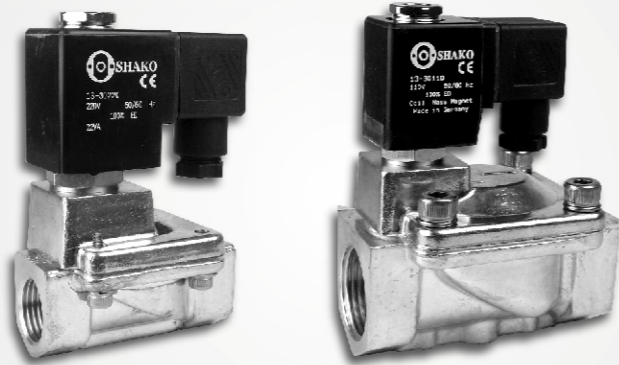


Features

- * Pilot acting for low starting pressure.
- * Large flow rate and high working pressure.
- * Quick response.
- * Stainless steel stem provides exceptional durability.
- * Flange type is available for JIS 10K, ANSI 150LB and PN16.
- * Ex-proof coil T4 as optional accessory.
- * Timer for setting on/off time as optional accessory.



How to order

PU225	A	N	V	F-03	N-S	1	LED	E		
Brass 2/2 way pilot acting	Series	Acting style	Diaphragm	Flange type	Port size	Thread	Solenoid	Voltage	LED	Ex-proof coil
A	Standard	Blank/Normally closed	Blank/NBR	F/10K	03 3/8"	Blank/PS	1	110VAC	Blank/WO LED	
H	High pressure	N/Normally open	V/VITON	F3/150LB	04 1/2"	N/NPT	2	220VAC		
			E/EPDM	F4/PN16	06 3/4"		9	24VDC		
					08 1"					
					12 1-1/4"					
					14 1-1/2"					

* Please contact our sales for more details.

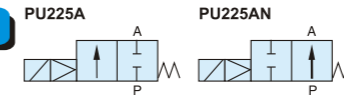
Specifications

Model	PU225A-03	PU225A-04	PU225A-06	PU225A-08	PU225A-12	PU225A-14
Port size	3/8"	1/2"	3/4"	1"	1-1/4"	1-1/2"
Fluid	Compressed air (light oil, water)					
A series orifice	13mm		25mm		38mm	
H series orifice	8mm ²		13mm ²		—	
Sectional area	88mm ²		230mm ²		404mm ²	552mm ²
Acting	Pilot acting					
Construction	Diaphragm					
Operating pressure range	A series: 0.5~10kgf/cm ² , H series: PU225H-03/04: 0.5~25kgf/cm ² , PU225H-06/08: 0.5~25kgf/cm ²					
Max. operating pressure	A series: 15 kgf/cm ² , H series: PU225H-03/04: 30 kgf/cm ² , PU225H-06/08: 30 kgf/cm ²					
Body material	Die-cast Brass					
Fluid temperature	-10 °C ~ 90 °C					
Ambient temperature	-10 °C ~ 60 °C					
Installation	Horizontal					
Duty cycle	100% ED					
Coil type	DIN					
Protection class	IP65 (DIN 40 050)					
Insulation	F					
Voltage tolerance	± 10%					
Standard voltage	220VAC, 110VAC, 24VDC The other voltage is optional					
Power consumption	Normally closed AC110V:17.6VA, AC220V:18.1VA, DC: 15W ; Normally open AC: 17.8VA, DC: 15W					
Net weight	775g		1550g		2820g	
H series	Only available for port size 3/8", 1/2", 3/4", 1"					

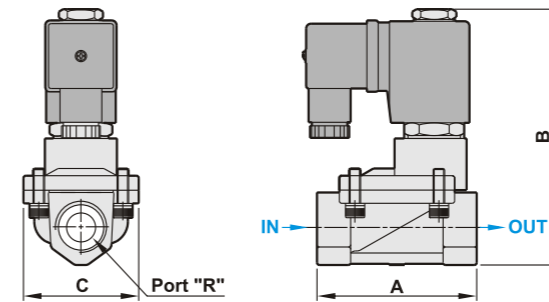
Seal material selection guide

Seal	Temperature range	Suitable fluid	Unsuitable fluid
NBR	-15 °C ~ 80 °C	Air, Water, Neutral gases, Mineral oil	Fuel oil, Gasoline and Hi-test gasoline, Diesel fuel
VITON	-10 °C ~ 130 °C	Fuel oil, Gasoline and Hi-test gasoline, Diesel fuel	Hot water, Steam, Brake oil (ATE Blue)
EPDM	-5 °C ~ 160 °C	Hot water, Detergent liquid	Mineral oil, Gasoline

Dimensions

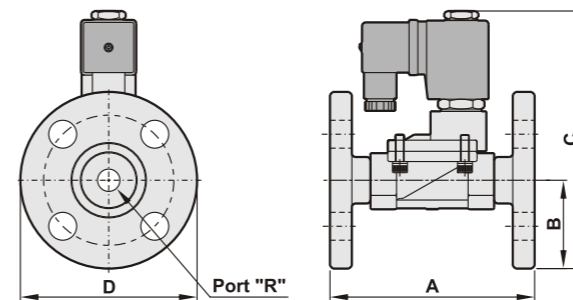


PU225A Standard type



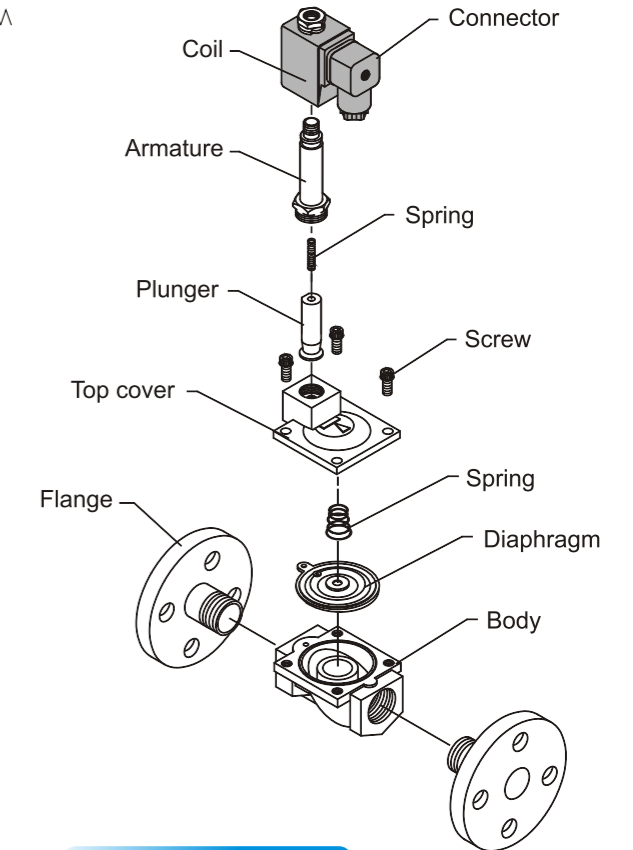
Model	PU225A-03	PU225A-04	PU225A-06	PU225A-08	PU225A-12	PU225A-14
R	3/8"	1/2"	3/4"	1"	1 1/4"	1 1/2"
A	66.5	66.5	96.0	96.0	131.0	131.0
B	106.5	106.5	126.0	126.0	145.5	145.5
C	48.0	48.0	70.0	70.0	96.0	96.0

PU225A Flange type (10K)



Model	PU225AF-03	PU225AF-04	PU225AF-06	PU225AF-08	PU225AF-12	PU225AF-14
R	3/8"	1/2"	3/4"	1"	1 1/4"	1 1/2"
A	110.0	110.0	145.0	150.0	180.0	180.0
B	45.0	47.5	50.0	62.5	67.5	70.0
C	136.0	138.5	153.0	165.5	173.0	182.5
D	90.0	95.0	100.0	125.0	135.0	140.0

Explosion



Flow chart

