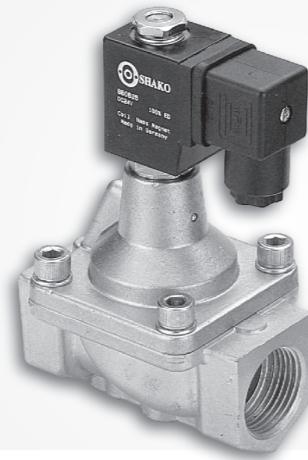


Features

- * Pilot acting for low starting pressure.
- * Large flow rate.
- * Quick response.
- * Specially for steam use.
- * Flange type is available for JIS 10K, ANSI 150LB and PN16.
- * Ex-proof coil T4 as optional accessory.
- * Timer for setting on/off time as optional accessory.



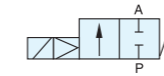
How to order

PU225	S	F	-	03	N	-	S	1	LED	E
Brass 2/2 way pilot acting	Series	Flange type	Port size	Thread	Solenoid	Voltage	LED	Ex-proof coil		
	S Steam series	F 10K	03 3/8"	Blank PS		1 110VAC	Blank/W/O LED			
		F3 150LB	04 1/2"	N NPT		2 220VAC				
		F4 PN16	06 3/4"			9 24VDC				
			08 1"							

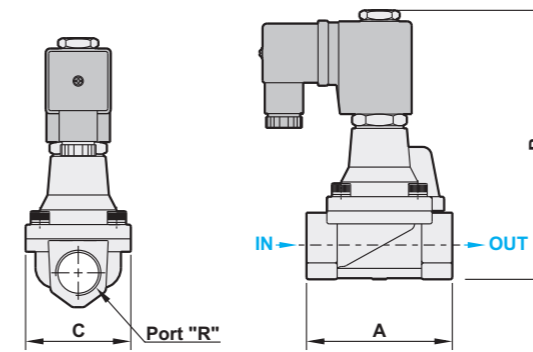
Specifications

Model	PU225S-03	PU225S-04	PU225S-06	PU225S-08
Port size	3/8"	1/2"	3/4"	1"
Fluid	Compressed air, Hot water, Steam			
Orifice	13mm		25mm	
CV value	4.5		12	
Sectional area	88mm ²		230mm ²	
Acting	Pilot acting			
Construction	Piston			
Operating pressure range	0.5 ~ 10 kgf/cm ²			
Max. operating pressure	15 kgf/cm ²			
Body material	Die-cast brass			
Piston ring	SUS 304			
Fluid temperature	-10°C ~ 185°C			
Ambient temperature	-20°C ~ 60°C			
Installation	Horizontal			
Duty cycle	100% ED			
Coil type	DIN			
Protection class	IP65 (DIN 40 050)			
Insulation class	F			
Voltage tolerance	±10%			
Standard voltage	220VAC, 110VAC, 24VDC The other voltage is optional			
Power consumption	AC110V:17.6VA, AC220V:18.1VA, DC: 15W			
Net weight	860g	840g	1800g	1750g

Dimensions

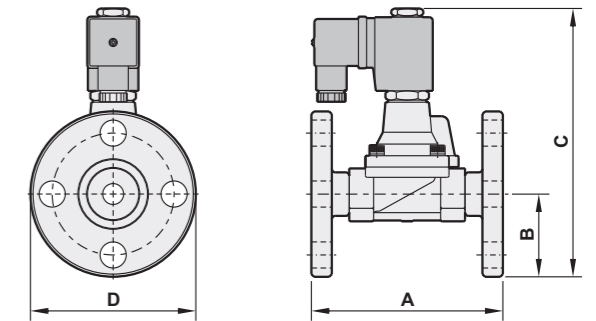


PU225S Standard type



	(mm)			
Model	PU225S-03	PU225S-04	PU225S-06	PU225S-08
R	3/8"	1/2"	3/4"	1"
A	66.5	66.5	100.0	100.0
B	106.5	106.5	126.5	126.5
C	48.0	48.0	70.0	70.0

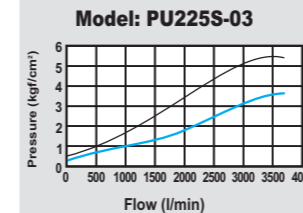
PU225S Flange type (10K)



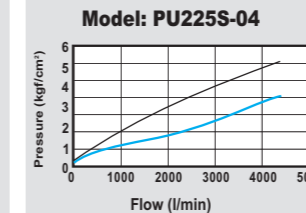
	(mm)			
Model	PU225SF-03	PU225SF-04	PU225SF-06	PU225SF-08
R	3/8"	1/2"	3/4"	1"
A	110.0	110.0	148.0	150.6
B	45.0	47.5	50.0	62.5
C	151.7	154.2	183.0	191.0
D	90.0	95.0	100.0	125.0

Flow chart

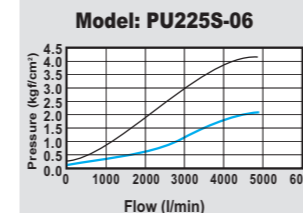
3/8" Pilot acting



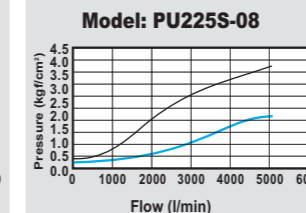
1/2" Pilot acting



3/4" Pilot acting



1" Pilot acting



Explosion

